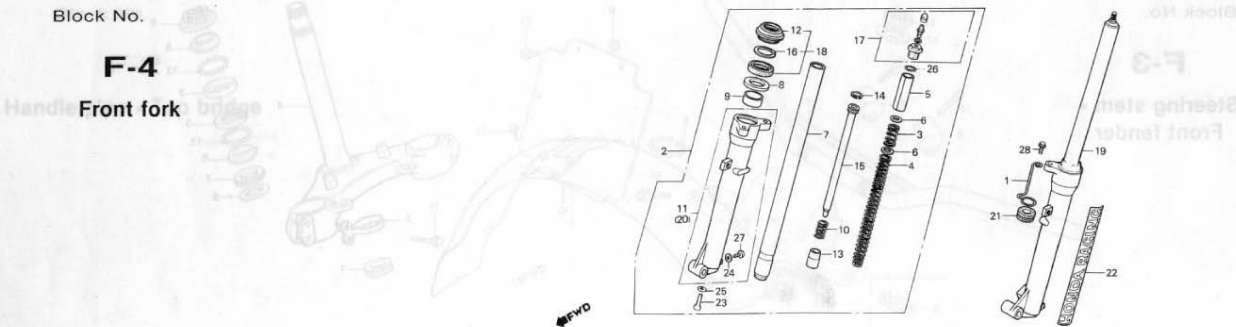


Register to Remove Trial Watermark!!

Register eDocPrinter PDF Pro Online Now!!

Register to Remove Trial Watermark!!



Ref. No.	Part No.	Description	Reqd. No.	Remarks	Ref. No.	Part No.	Description	Reqd. No.	Remarks
1	45156-KE8-000	CRIP, front brake hose	1		21	80152-958-680	RUBBER, rear fender	1	
• 2	51400-F8F-601	FORK ASSY., R. front	1		• 22	87130-F8F-000	MARK, bottom case	2	
• 3	51401-F8F-601	SPRING, front cushion	2		23	90116-383-721	BOLT, socket, 8 mm	2	
• 4	51402-F8F-601	SPRING B, front cushion	2		24	90544-GF4-003	WASHER, special	2	
• 5	51403-F8F-003	COLLAR, spring	2		25	90544-283-000	WASHER, special, 8 mm	2	
6	51403-MA0-771	SEAT, spring	4		26	91356-428-003	O-RING (25.7 x 28.8)	2	
• 7	51410-F8F-003	PIPE COMP., front fork	2		27	93500-04006-1A	SCREW pan, 4 x 6	2	
8	51412-KL4-951	RING, back up	2		28	96001-06016-00	BOLT, flange, SH. 6 x 16	1	
9	51414-469-601	BUSH, guide	2						
10	51416-461-003	SPRING, front rebound	2						
11	51420-KR8-003ZA	CASE COMP., R. bottom (NH-138) ..	1						
12	51425-GM7-641	SEAL, dust, 35 mm	2						
• 13	51432-F8F-003	PIECE, oil lock	2						
14	51437-MA0-771	RING, piston	2						
• 15	51440-F8F-601	PIPE, seat	2						
16	51447-KL4-951	RING, oil seal stop	2						
17	51450-964-671	BOLT ASSY., front fork	2						
18	51490-KR9-305	SEAL SET, front fork	2						
• 19	51500-F8F-601	FORK ASSY., L. front	1						
• 15	51520-KR8-003ZA	CASE COMP., L. bottom (NH-138) ..	1						

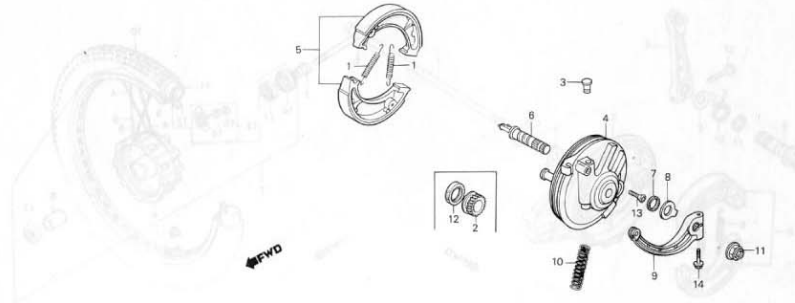
Register eDocPrinter PDF Pro Online Now!!

Register to Remove Trial Watermark!!

Block No.

F-5

Front panel



Block No.

F-6

Front wheel

Ref. No.	Part No.	Description	Reqd. No.	Remarks	Ref. No.	Part No.	Description	Reqd. No.	Remarks
1	43151-110-000	SPRING, brake shoe	2						
2	44804-KR9-003	GEAR, speedometer	1	EUROPEAN SPEC.					
3	44836-KJ2-000	CAP, speedometer gear box	1	JAPANESE SPEC.					
4	45010-KR9-305	PANEL SUB COMP., front brake	1						
5	45120-KR8-003	SHOE SET, front brake	1						
6	45131-KB9-000	CAM, front brake	1						
7	45134-KB7-005	DUST SEAL, brake cam	1						
8	45145-GC5-000	INDICATOR, front brake	1						
9	45410-KT2-000	ARM, front brake	1						
10	45454-KR8-000	SPRING, brake cable	1						
11	90306-KF0-003	NUT, flange, 12 mm	1						
12	91251-121-003	OIL-SEAL, 47 x 60 x 7	1	EUROPEAN SPEC.					
	91251-361-005	OIL-SEAL, 47 x 60 x 7	1	EUROPEAN SPEC.					
13	93700-05018-0A	SCREW, oval, 5 x 18	1						
14	96001-06028-00	BOLT, flange, SH. 6 x 28	1						

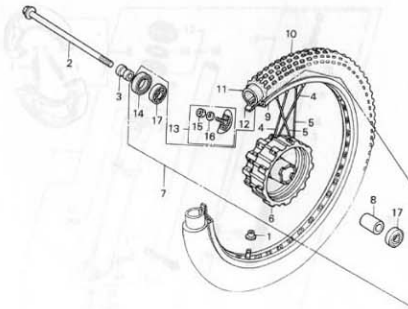
Register eDocPrinter PDF Pro Online Now!!

Register to Remove Trial Watermark!!

Block No.

F-6

Front wheel



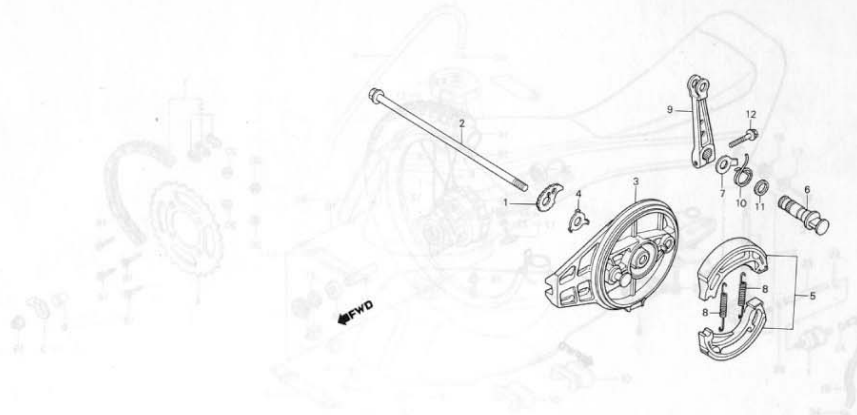
Ref. No.	Part No.	Description	Reqd. No.	Remarks	Ref. No.	Part No.	Description	Reqd. No.	Remarks
1	42714-KA3-710	CAP, valve	1						
2	44301-KJ2-000	AXLE, front wheel	1						
3	44311-GC4-700	COLLAR, front wheel (side)	1						
4	446A0-KR9-000	SPOKE SET, A, front	18						
5	446B0-KR9-000	SPOKE SET, B, front	18						
6	44601-KR9-000	HUB COMP., front wheel	1						
7	44610-ND9-305	RIM ASSY., front 1.40 x 21	1						
8	44620-GC4-700	COLLAR, front axle distance	1						
9	44701-KJ2-003	RIM, front wheel	1						
10	44711-KR9-008	TIRE, front 2.75 x 21	1						
11	44712-KR9-008	TUBE	1						
12	44713-KR9-008	RIM, band	1						
13	44715-KR9-000	STOPPER, 1.40 bead	1						
14	90745-GC4-701	DUST SEAL, 32 x 21 x 5	1						
	90745-GC4-702	DUST SEAL, 32 x 21 x 5.5	1						
15	94001-08000-0S	NUT hex 8 mm	1						
16	94111-08000	WASHER, spring 8 mm	1						
17	96140-62010-10	BEARING, ball, radial, 6201 (U)	2						

Register to Remove Trial Watermark!!

Block No.

F-7

Rear brake panel



Block No.

F-8

Rear wheel

Ref. No.	Part No.	Description	Reqd. No.	Remarks	Ref. No.	Part No.	Description	Reqd. No.	Remarks
1	40544-ND9-000	ADJUSTER, chain	1		1	40520-F87-001	CHAIN drive (30D8-4-44)	1	
2	42301-KR8-000	AXLE, rear wheel	1		2	40521-KA3-011	JOINT BL drive chain (L.A.A)	2	
3	43100-KR8-000	PANEL COMP., rear brake	1		3	40544-ND9-000	ADJUSTER, chain	3	
4	43104-KE1-000	WASHER, rear brake	1		4	41200-F87-000	SPROCKET, final (driven) SET	4	
5	45120-KR8-003	SHOE SET, front brake	1		5	41201-F87-018	SPROCKET, final (driven) SET	5	
6	43141-KB9-000	CAM, rear brake	1		6	41202-F87-018	SPROCKET, final (driven) SET	6	
7	43145-KR8-000	INDICATOR, rear brake	1		7	41203-F87-000	SPROCKET, final (driven) SET	7	
8	43151-110-000	SPRING, brake shoe	2		8	41204-F87-000	RETAINER, bearing	8	
9	43410-KR8-000	ARM, rear brake	1		9	43111-KR8-000	WASHER, spring	9	
10	43415-KR8-000	SPG., brake arm return	1		10	43112-KR8-000	BEARING BALL	10	
11	45134-KB7-005	DUST SEAL, brake cam	1		11	43113-KR8-000	COLLAR, rear wheel (side)	11	
12	96001-06025-00	BOLT, flange, SH. 6 x 25	1		12	43240-KR9-000	SPOKE SET, A rear	12	
13	17429-075-001	PACKING, lead tip	1		13	43240-KR9-000	SPOKE SET, B rear	13	
14	17430-075-001	COLLAR, lead tip	1		14	43241-KR9-000	HUB COMP., rear wheel	14	
15	17431-075-001	TUBE, A lead tip	1		15	43242-KR9-000	RIM ASST., rear 2 1/2 x 18	15	
16	17432-075-001	TUBE, B lead tip	1		16	43230-KR9-000	COLLAR, rear axle (distance)	16	
17	17433-075-001	SHIMMER, air guide	2		17	43201-KR9-000	RIM, rear wheel	17	
18	17434-075-001	COLLAR, rear guide	2		18	43211-KR9-008	TIRE, rear 4.00 x 18	18	
19	17435-075-001	WASHER, rear guide	2		19	43212-KR9-008	TUBE	19	
20	17436-075-001	BAND, air guide	2		20	43213-KR9-008	RIM, front	20	
21	17437-075-001	WASHER, front guide	2		21	43214-KA3-710	CAP, valve	21	
22	17438-075-001	BAND, front guide	2		22	43215-KA3-710	STOPPER 2 1/2 BEAD	22	
23	17439-075-001	WASHER, front guide	2		23	90127-KA4-000	SCREW, (flat head) socket cap	23	

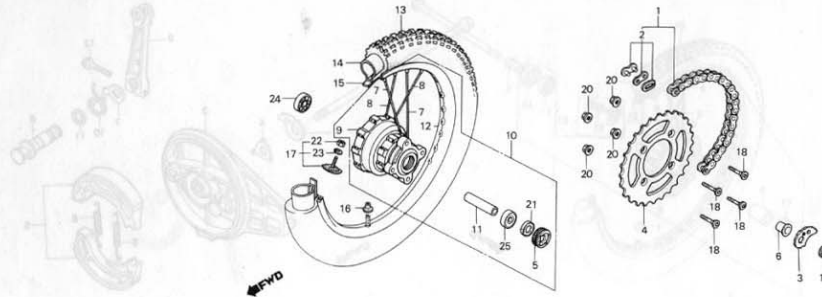
Register eDocPrinter PDF Pro Online Now!!

Register to Remove Trial Watermark!!

Block No.

F-8

Rear wheel



Ref. No.	Part No.	Description	Reqd. No.	Remarks	Ref. No.	Part No.	Description	Reqd. No.	Remarks
• 1	40530-F8F-601	CHAIN, drive (52DS, 6-94)	1		19	90305-197-003	NUT, U 14 mm	1	
2	40531-KA3-831	JOINT, RJ drive chain	1		20	90309-KF0-003	NUT, flange, 8 mm	4	
• 3	40544-ND9-000	ADJUSTER, chain	1		21	91252-KE1-005	OIL SEAL, 23 x 36 x 7	1	
• 4	41200-F8F-000	SPROCKET, final (driven) 36T	(1)		22	94001-08000-0S	NUT, hex 8 mm	1	
• 4	41201-F8F-010	SPROCKET, final (driven) 37T	1		23	94111-08000	WASHER, spring 8 mm	1	
• 4	41202-F8F-000	SPROCKET, final (driven) 38T	(1)		24	96140-62020-10	BEARING BALL, radial 6202U	1	
5	41231-KE1-000	RETAINER, bearing	1		25	96140-63020-10	BEARING BALL, radial 6302U	1	
6	42311-KR8-000	COLLAR, rear wheel (side)	1						
7	426A0-KR9-000	SPOKE SET, A rear	18						
8	426B0-KR9-000	SPOKE SET, B rear	18						
9	42601-KR9-000	HUB COMP., rear wheel	1						
• 10	42610-F8F-305	RIM ASSY., rear 2.15 x 18	1						
11	42620-KR9-000	COLLAR, rear axle (distance)	1						
12	42701-KR9-003	RIM, rear wheel	1						
13	42711-KR9-008	TIRE, rear 4.00 x 18	1						
14	42712-KR9-008	TUBE	1						
15	42713-KR9-008	RIM, band	1						
16	42714-KA3-710	CAP, valve	1						
17	42715-MA0-770	STOPPER 2.15 BEAD	2						
18	90125-KA4-000	SCREW, (flat head) socket cap	4						

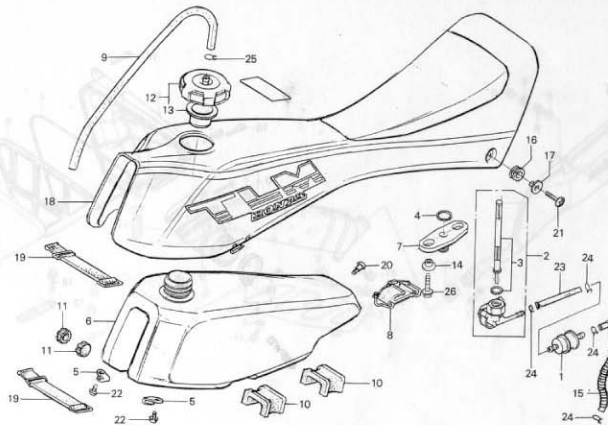
Register eDocPrinter PDF Pro Online Now!!

Register to Remove Trial Watermark!!

Block No.

F-9

Fuel tank



Block No.

F-10

Air cleaner

Ref. No.	Part No.	Description	Reqd. No.	Remarks	Ref. No.	Part No.	Description	Reqd. No.	Remarks
1	16910-GB2-005	STRAINER COMP., fuel	1		21	90141-GJ1-000	SCREW, side cover	1	
2	16950-F8F-003	COCK ASSY., fuel	1		22	93500-06010-0A	SCREW, pan 6 x 10	2	
3	16953-169-003	SCREEN-SET, fuel strainer	2		23	95001-45065-40	TUBE, fuel 4.5 x 65	1	
4	16997-467-000	O-RING 11.8 x 3.55	1		24	95002-02080	CLIP, B8 tube	4	
5	17508-ND9-000	HOOK, fuel tank	2		25	95002-50000	CLIP, C9 tube	2	
6	17510-F8F-000	TANK COMP., fuel	1		26	96001-06016-00	BOLT, flange, SH. 6 x 16	2	
7	17511-F8F-000	JOINT, fuel cock	1						
8	17516-KA3-710	BAND, tank rear	1						
9	17521-KR8-000	TUBE, fuel cap breather	1						
10	17611-F8F-000	RUBBER, tank mount	2						
11	17611-437-000	CUSHION, front tank	2						
12	17620-F8F-000	CAP ASSY., fuel tank	1						
13	17624-GF8-003	PACKING, fuel cap	1						
14	17626-467-000	COLLAR, tank set	2						
15	17681-F8F-000	TUBE, A fuel	1						
16	19042-KA5-740	RUBBER, air guide	2						
17	52159-KB7-000	COLLAR, chain guard	2						
18	77100-F8F-600	SHELTER COMP.	1						
19	83606-KE6-830	BAND, A battery	2						
20	90110-KA3-730	BOLT, seat set	1						

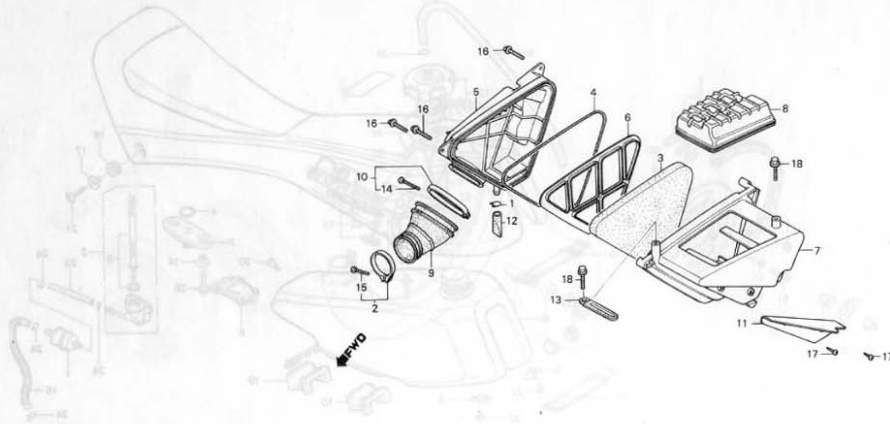
Register eDocPrinter PDF Pro Online Now!!

Register to Remove Trial Watermark!!

Block No.

F-10

Air cleaner



Ref. No.	Part No.	Description	Reqd. No.	Remarks	Ref. No.	Part No.	Description	Reqd. No.	Remarks
1	15772-292-010	CLIP, breather tube	1						
2	16223-413-000	BAND, insulator	1						
3	17213-KR8-000	ELEMENT, air cleaner	1						
4	17219-KR8-000	SEAL, air cleaner case	1						
5	17220-KR8-000	COVER, air cleaner case	1						
6	17221-KR8-000	HOLDER, element	1						
7	17230-KR8-000	CASE COMP., air cleaner	1						
8	17240-F8F-000	DUCT, air cleaner inlet	1						
9	17253-KR8-000	TUBE, air cleaner connecting connector.....	1						
10	17256-KR8-000	BAND, connecting connector tube	1						
11	17270-KR8-000	GUARD, heat	1						
12	17358-170-000	TUBE, drain	1						
13	91413-679-000	CLIP, 2 x 70	1						
14	93500-04016-0A	SCREW, pan, 4 x 16	1						
15	93500-05020-0G	SCREW, pan, 5 x 20	1						
16	93893-05016-00	SCREW, washer, 5 x 16	3						
17	93903-25010	SCREW, tapping, 5 x 8	2						
18	96001-06012-00	BOLT, flange, SH. 6 x 12	2						

Register eDocPrinter PDF Pro Online Now!!